



Fault tolerant library for designing stateful network equipments

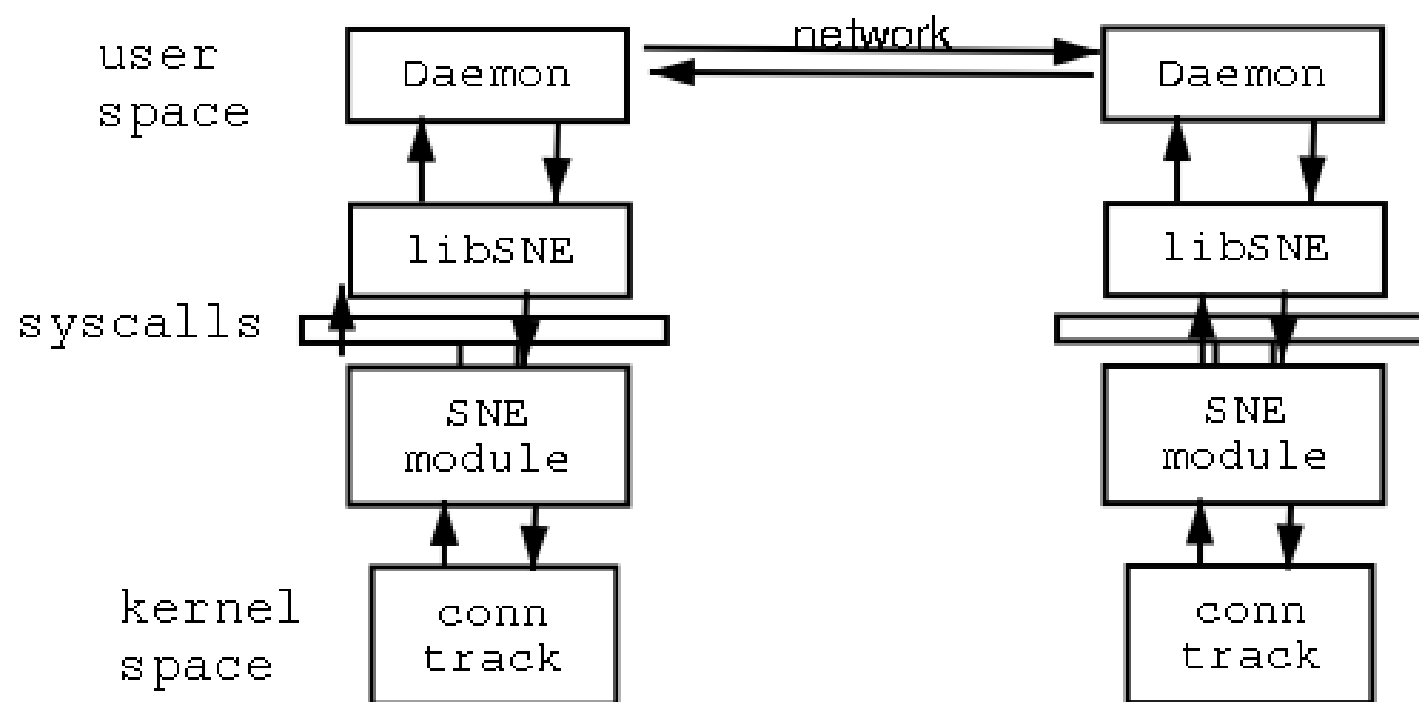
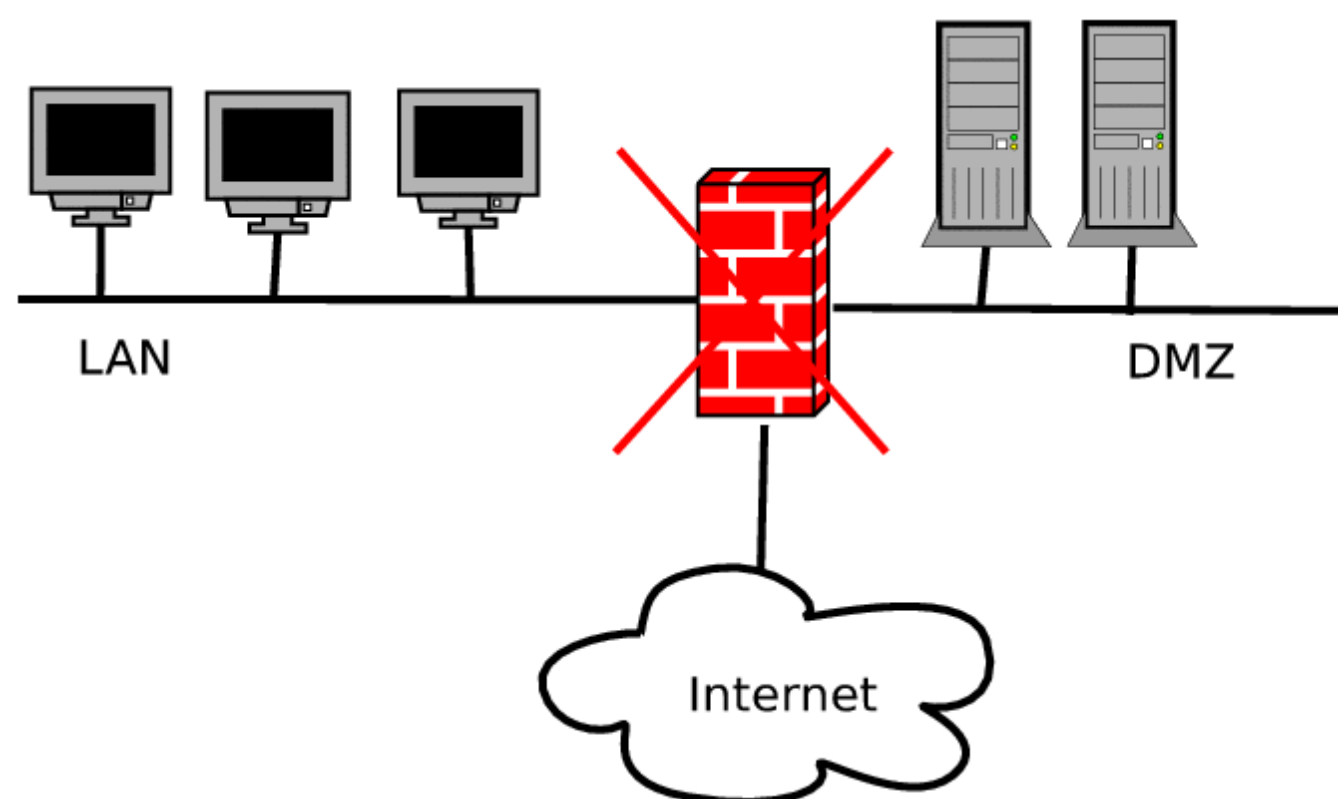
Laurent Lefèvre – Pablo Neira Ayuso

INRIA RESO / LIP - École Normale Supérieure de Lyon - France

laurent.lefevre@inria.fr

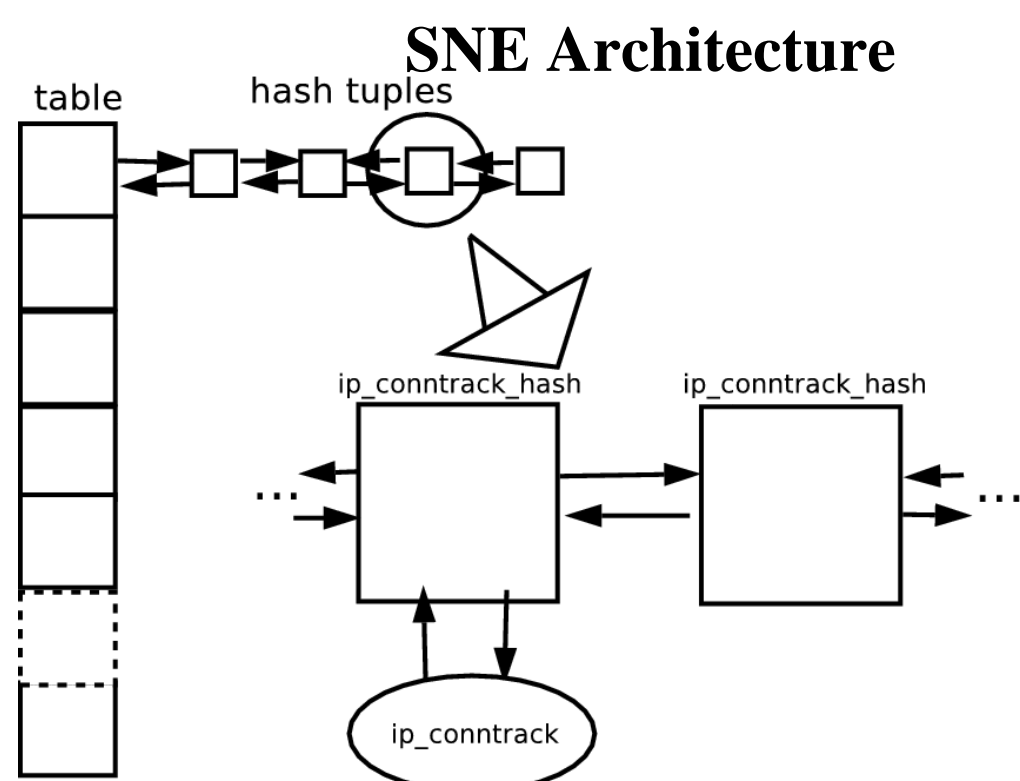
Avoiding single point of failure (SPOF) by replicating main components

Avoiding lost of connections for stateful network equipments



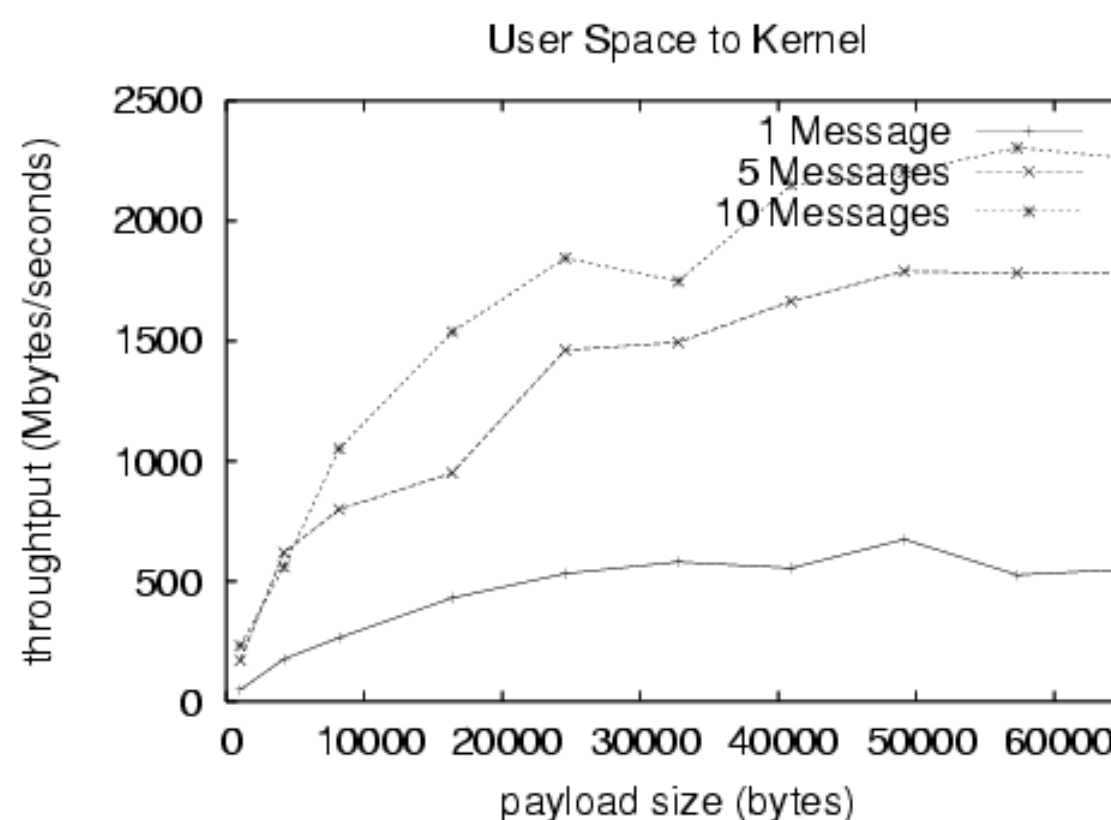
Stateful Network Equipment (SNE) library :

- Replicating connection tracking table
- API providing various levels of consistency
- Easy designing of stateful firewall
- Allowing load balancing functionalities
- Based on Linux / Netfilter
- Usage of netlink sockets between kernel modules and SNE library



Connection Tracking Structure

Netlinkbench : Evaluating netlink sockets



Available open source tools and environments : **SNE** and **Netlinkbench**

<http://www.ens-lyon.fr/LIP/RESO/Software.html>

